



1 GHz 1,6/5.6 LATCHING S.P.D.T. SWITCH

OPTIONS : INDICATOR /SUPP.DIODES

R F CHARACTERISTICS

FREQUENCY RANGE : 0 - 1 GHz
IMPEDANCE : 75 Ohms

FREQUENCY (GHz)	0 - 0.5	0.5 1
V.S.W.R <=	1.25	1.30
INSERT. LOSS <=	0.15 dB	0.20
ISOLATION >=	90 dB	80
AVER. POWER (*)	150 W	150

ELECTRICAL CHARACTERISTICS

ACTUATOR : LATCHING
NOMINAL CURRENT AT 25°C (±10%) : 210 mA
ACTUATOR VOLTAGE (Vcc) : 12V (10.2 to 13V)/ NEGATIVE COMMON
TERMINALS : solder pins (250°C max./30 sec.)
INDICATOR RATING : 1 W / 30 V / 100 mA

MECHANICAL CHARACTERISTICS

CONNECTORS : 1,6/5.6 fem. per IEC 169-13
LIFE : 5.000 .000 cycles
SWITCHING TIME (nominal voltage;25°C) : < 10 ms
CONSTRUCTION : splashproof
WEIGHT : < 45 g

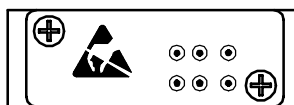
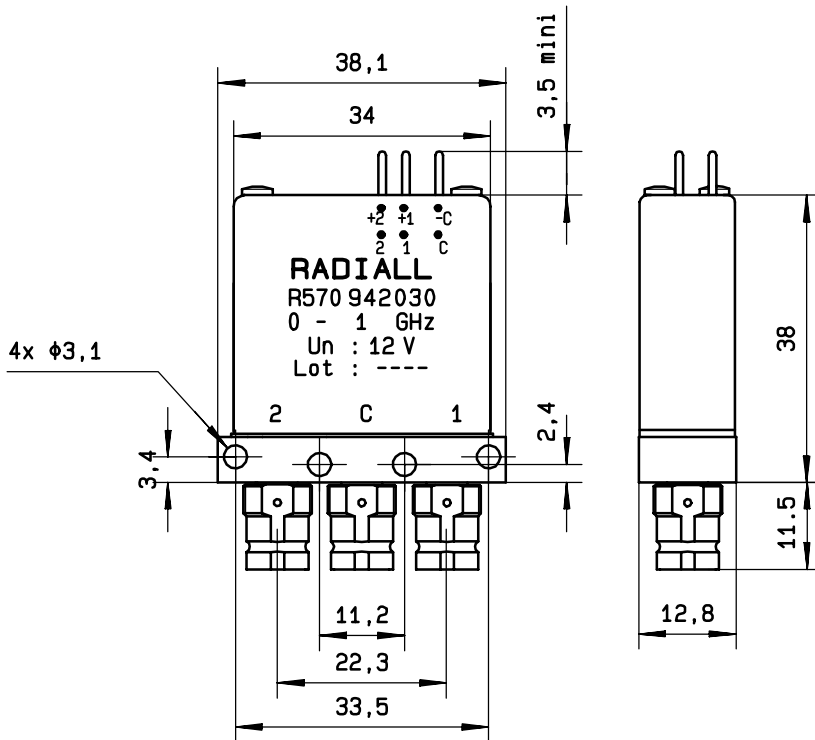
ENVIRONMENTAL CHARACTERISTICS

OPERATING TEMPERATURE RANGE (°C) : -25 , +70
STORAGE TEMPERATURE RANGE (°C) : -40 , +85

(* : average power at 25°C)

4112-9212 This information is given as an indication. In the continual goal to improve our products, we reserve the right to make any modifications judged necessary

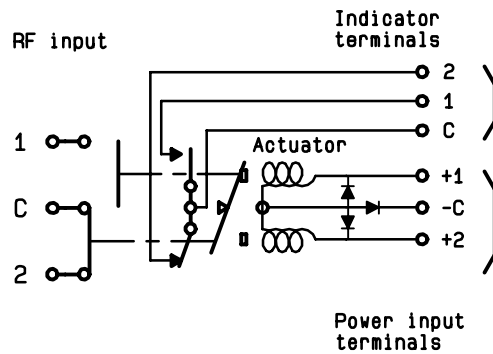
DRAWING



General tolerance: $\pm 0,5$ mm

SCHEMATIC DIAGRAM

Voltage	RF continuity	Indicator
- C + 1	C \leftrightarrow 1	C . 1
- C + 2	C \leftrightarrow 2	C . 2



4113-9212 This information is given as an indication. In the continual goal to improve our products, we reserve the right to make any modifications judged necessary